

SIEMENS



Industrial Controls

8WN Signaling Columns

Answers for industry.

8WN signaling columns

8WN44 Signaling columns, 70mm diameter, modular

Selection and ordering data

Overview

- Features:
- Thermoplast enclosure, diameter 70mm
 - Degree of protection IP65
 - Up to 5 elements can be mounted

	Version	Rated voltage	Color	Order No.	PS*
Buzzer elements					
	Continuous tone	24V AC/DC	Black	8WN4420-0GA00	1 unit
		110V AC/DC	Black	8WN4440-0GA00	1 unit
		220V AC	Black	8WN4450-0GA00	1 unit
	Pulsating tone	24V AC/DC	Black	8WN4420-0HA00	1 unit
		110V AC/DC	Black	8WN4440-0HA00	1 unit
		220V AC	Black	8WN4450-0HA00	1 unit
Light elements with LED ¹⁾					
	Continuous light elements	24V AC/DC	Red	8WN4420-5AB00	1 unit
			Green	8WN4420-5AC00	1 unit
			Yellow	8WN4420-5AD00	1 unit
			Clear	8WN4420-5AE00	1 unit
			Blue	8WN4420-5AF00	1 unit
		110V AC/DC	Red	8WN4440-5AB00	1 unit
			Green	8WN4440-5AC00	1 unit
			Yellow	8WN4440-5AD00	1 unit
			Clear	8WN4440-5AE00	1 unit
			Blue	8WN4440-5AF00	1 unit
		220V AC	Red	8WN4450-5AB00	1 unit
			Green	8WN4450-5AC00	1 unit
			Yellow	8WN4450-5AD00	1 unit
			Clear	8WN4450-5AE00	1 unit
			Blue	8WN4450-5AF00	1 unit
	Blinking light elements	24V AC/DC	Red	8WN4420-5BB00	1 unit
			Green	8WN4420-5BC00	1 unit
			Yellow	8WN4420-5BD00	1 unit
			Clear	8WN4420-5BE00	1 unit
			Blue	8WN4420-5BF00	1 unit
		110V AC/DC	Red	8WN4440-5BB00	1 unit
			Green	8WN4440-5BC00	1 unit
			Yellow	8WN4440-5BD00	1 unit
			Clear	8WN4440-5BE00	1 unit
			Blue	8WN4440-5BF00	1 unit
		220V AC	Red	8WN4450-5BB00	1 unit
			Green	8WN4450-5BC00	1 unit
			Yellow	8WN4450-5BD00	1 unit
			Clear	8WN4450-5BE00	1 unit
			Blue	8WN4450-5BF00	1 unit
Connection elements					
	Connection elements		Black	8WN4408-0AF00	1 unit
	cover		Black	8WN4408-0AG00	1 unit
Mounting					
	Foot with pipe	Pipe length 60mm		8WN4408-0DH00	1 unit
		Pipe length 80mm		8WN4408-0DJ00	1 unit
		Pipe length 110mm		8WN4408-0DA00	1 unit
	Brackets for wall mounting	Mounting with feet and pipe		8WN4408-0CC00	1 unit
		Mounting without feet and pipe		8WN4408-0CF00	1 unit
	Pivoting base	Fold-out support		8WN4408-0CG00	1 unit

1) only for use in combination with Siemens commanding and signaling devices.



8WN signaling columns

8WN22 Signaling columns, 50mm diameter, pre-assembled

Selection and ordering data

Overview

Features: • Thermoplast enclosure, diameter 50mm

	Version	Rated voltage	Color	Order No.	PS*	
	with light elements ¹⁾					
	Continuous light	24V AC/DC	Red	8WN2221-6AB00	1 unit	
			Red, green	8WN2222-6AG00	1 unit	
			Red, yellow, green	8WN2223-6AJ00	1 unit	
		110V AC/DC	Red	8WN2241-6AB00	1 unit	
			Red, green	8WN2242-6AG00	1 unit	
			Red, yellow, green	8WN2243-6AJ00	1 unit	
	220V AC	Red	8WN2251-6AB00	1 unit		
		Red, green	8WN2252-6AG00	1 unit		
		Red, yellow, green	8WN2253-6AJ00	1 unit		
	Blinking light	24V AC/DC	Red	8WN2221-6BB00	1 unit	
			Red, green	8WN2222-6BG00	1 unit	
Red, yellow, green			8WN2223-6BJ00	1 unit		
With light elements and buzzer ¹⁾						
		Continuous light with continuous tone	24V AC/DC	Red	8WN2222-6JB00	1 unit
				Red, green	8WN2223-6JG00	1 unit
	Red, yellow, green			8WN2224-6JJ00	1 unit	
	110V AC/DC		Red	8WN2242-6JB00	1 unit	
			Red, green	8WN2243-6JG00	1 unit	
			Red, yellow, green	8WN2244-6JJ00	1 unit	
	220V AC	Red	8WN2252-6JB00	1 unit		
		Red, green	8WN2253-6JG00	1 unit		
		Red, yellow, green	8WN2254-6JJ00	1 unit		
	Continuous light with pulsating tone	24V AC/DC	Red	8WN2222-6KB00	1 unit	
			Red, green	8WN2223-6KG00	1 unit	
			Red, yellow, green	8WN2224-6KJ00	1 unit	
110V AC/DC		Red	8WN2242-6KB00	1 unit		
		Red, green	8WN2243-6KG00	1 unit		
		Red, yellow, green	8WN2244-6KJ00	1 unit		
220V AC	Red	8WN2252-6KB00	1 unit			
	Red, green	8WN2253-6KG00	1 unit			
	Red, yellow, green	8WN2254-6KJ00	1 unit			
Blinking light with continuous tone	24V AC/DC	Red	8WN2222-6MB00	1 unit		
		Red, green	8WN2223-6MG00	1 unit		
		Red, yellow, green	8WN2224-6MJ00	1 unit		
Blinking light with pulsating tone	24V AC/DC	Red	8WN2222-6NB00	1 unit		
		Red, green	8WN2223-6NG00	1 unit		
		Red, yellow, green	8WN2224-6NJ00	1 unit		

1) only for use in combination with Siemens commanding and signaling devices.

8WN signaling columns

General data

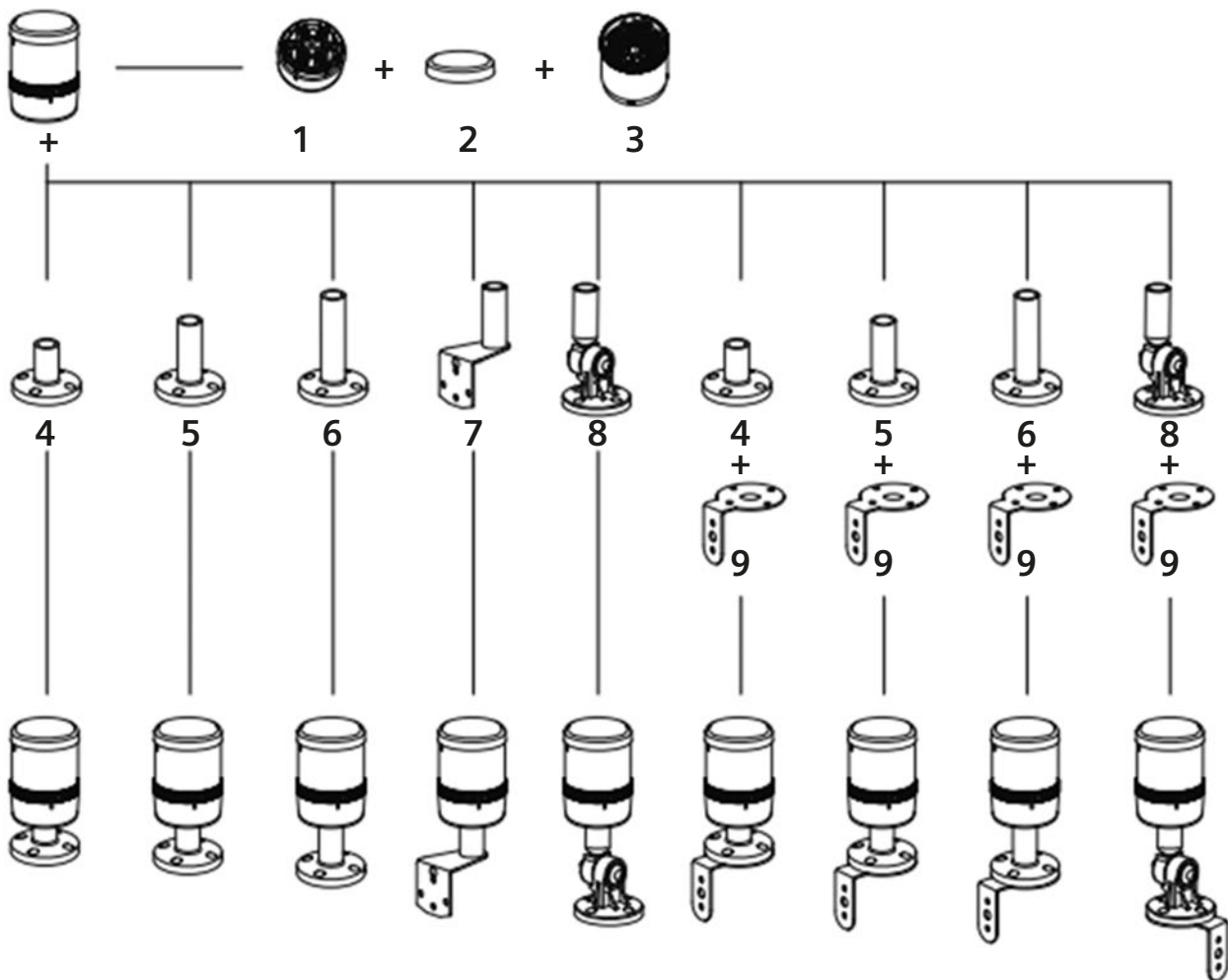
Technical Specifications

Type	8WN44	8WN22
General data		
Approvals	CE	CE
Light and acoustic elements		
Light elements with LED		
· Continuous light	24V AC/DC/60mA; 110V AC/DC/17mA; 220V AC/17mA	24V AC/DC/40mA; 110V AC/DC/25mA; 220V AC/25mA
· Blinklight	24V AC/DC/60mA; 110V AC/DC/24mA; 220V AC/32mA	24V AC/DC/40mA;
Acoustic elements		
· Buzzer element (tone: pulsating or continuous, dB)	90dB (at 10cm) 24V AC/DC/30mA; 110V AC/DC/30mA; 220V AC/30mA	90dB (at 10cm) 24V AC/DC; 110V AC/DC; 220V AC
Enclosures		
Enclosure material	Thermoplastic black	Thermoplastic black
Light elements	Thermoplastic	Thermoplastic
Mounting		
· Feet with pipes	√	√
· Brackets for side mounting	√	
· Fold-out support	√	
Degree of protection	IP65	IP20
Operating temperature	-5...+40	-5...+40
Connection		
· Conductor cross-sections mm ²	M3 screw terminals 1.5	Cable 0.5
· Tightening torque Nm	0.5	2

8WN44 Signaling columns, 70mm diameter

General data

Combination of accessories



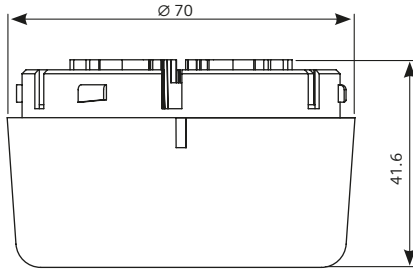
1. Connection elements 8WN4408-0AF00
2. Cover 8WN4408-0AG00
3. Light elements 8WN44
4. Foot with pipe length 60mm 8WN4408-0DH00
5. Foot with pipe length 80mm 8WN4408-0DJ00
6. Foot with pipe length 110mm 8WN4408-0DA00
7. Brackets for wall mounting without feet and pipe 8WN4408-0CF00
8. Pivoting base 8WN4408-0CG00
9. Brackets for wall mounting with feet and pipe 8WN4408-0CC00

8WN44 Signaling columns, 70mm diameter

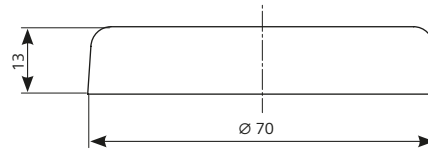
Dimensional drawings

Dimensional drawings

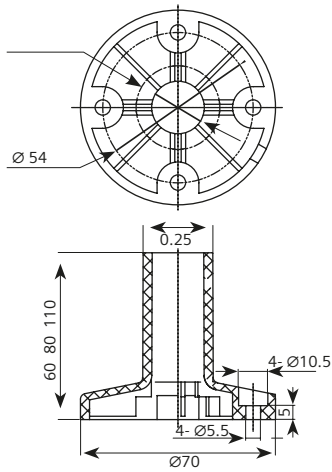
Connection elements (8WN4408-0AF00)



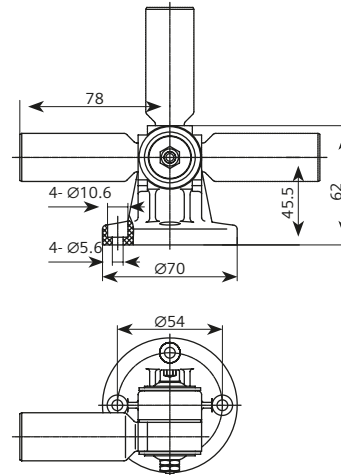
cover for light elements (8WN4408-0AG00)



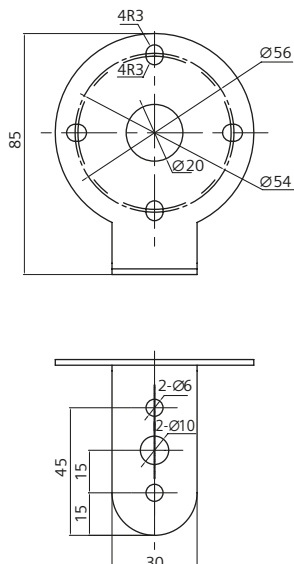
Feet with pipes (8WN4408-0DH00, 8WN4408-0DJ00, 8WN4408-0DA00)



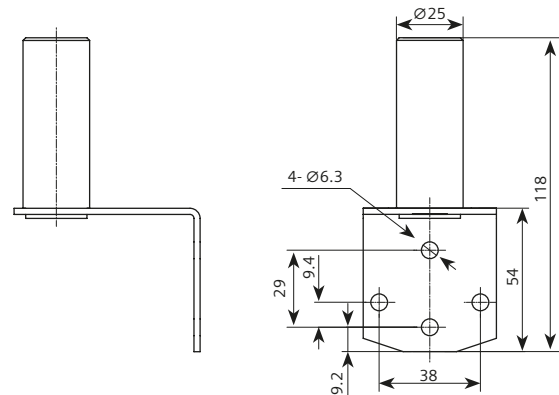
Fold-out support (8WN4408-0CG00)



Brackets for side mounting (8WN4408-0CF00)



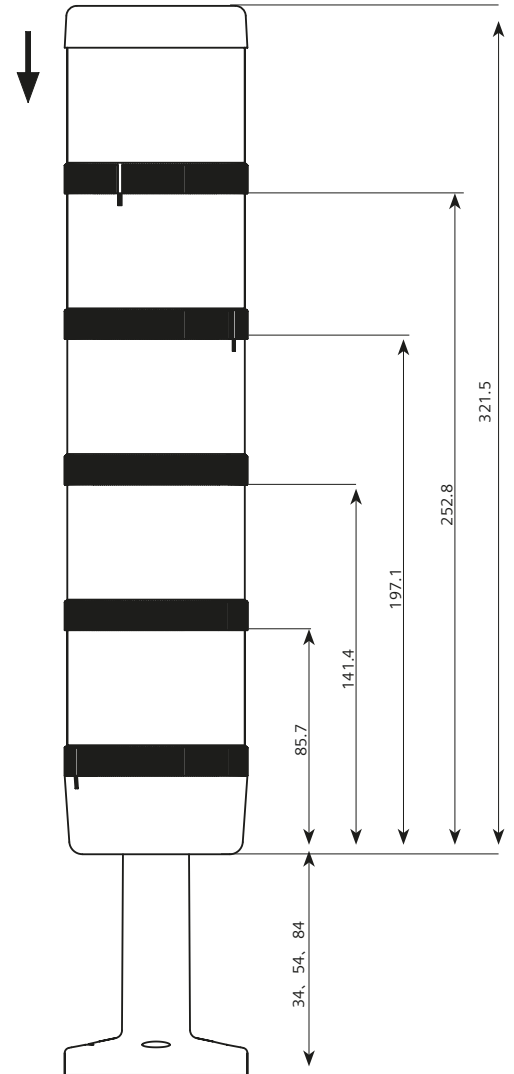
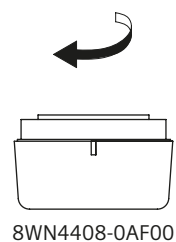
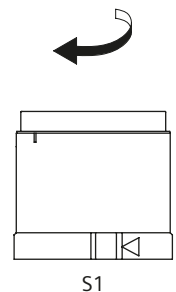
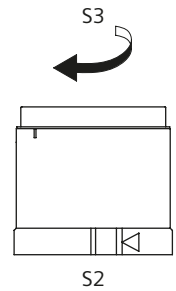
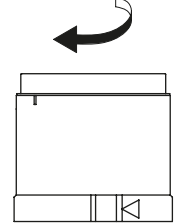
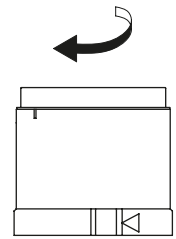
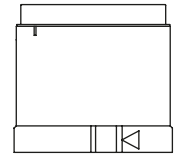
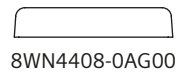
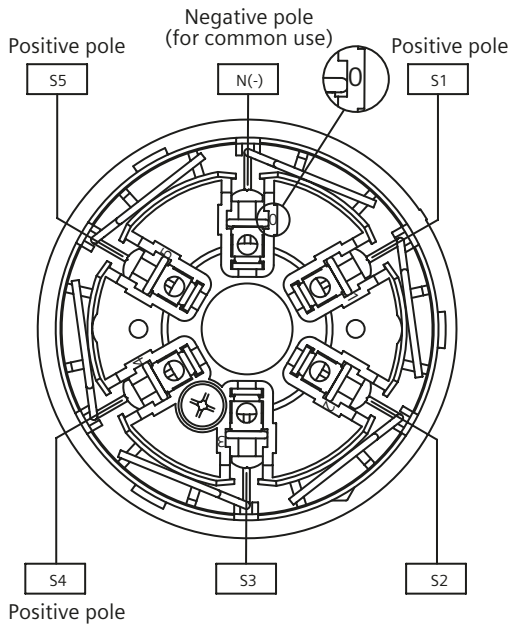
Brackets for side mounting, use together with foot with pipe (8WN4408-0CC00)



8WN44 signaling columns, 70 diameter

Wiring and outline dimension

Wiring and outline dimension

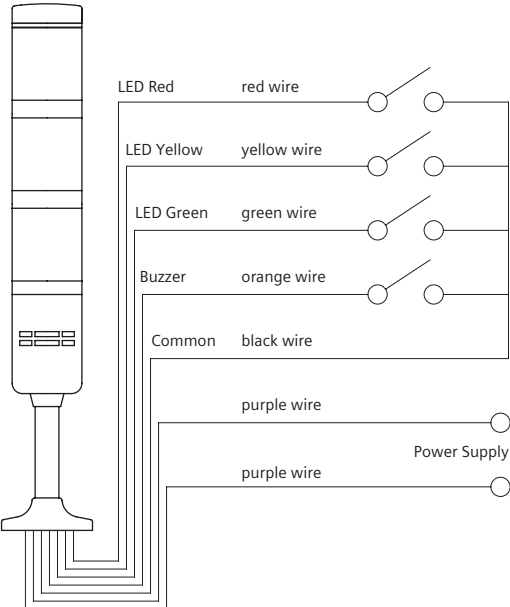


8WN22 signaling columns, 50mm diameter

Wiring and outline dimension

Wiring and outline dimension

Blinking Unit



Continuous Unit

